



HSL ENGINEERING SDN BHD

SME

SELF-PRIMING CENTRIFUGAL PUMP

System Characteristics

The SME is a self-priming centrifugal pump with radial (semi-open or closed) impeller, overhung mounted on a bearing pedestal. If a spacer type coupling is used, the pump can easily be dismantled without it being necessary to disturb the pipings or to move the motor.

The SME series is available in different drive possibilities:

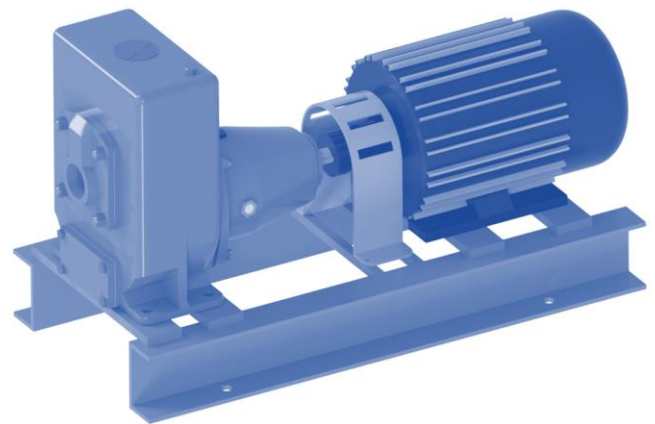
- SME: pump with bare shaft for clockwise rotation
- SMEL: pump with bare shaft for counter-clockwise rotation
- SMEF: pump with flanged motor (close coupled)

Applications

The SME is suitable for clean and polluted liquids, which are non-corrosive to cast iron, including water, oils, petrol and all kind of chemicals. Draining building excavations, emptying ponds, ditches and swimming pools, water extraction for irrigation and watering, aboard ships as bilge, deck wash and general service pumps. Emptying pits and throughs containing wastewater, handling fuels, condensate extraction pumps.

Pump specifics

- Self-priming
- Suitable for a wide range of duties
- Non-return valve mounted
- Oil bath for the mechanical seal (preventing seal from running dry)
- Dust tight, grease lubricated bearings



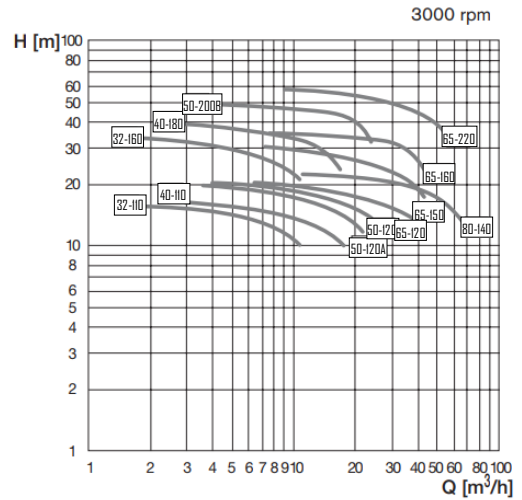
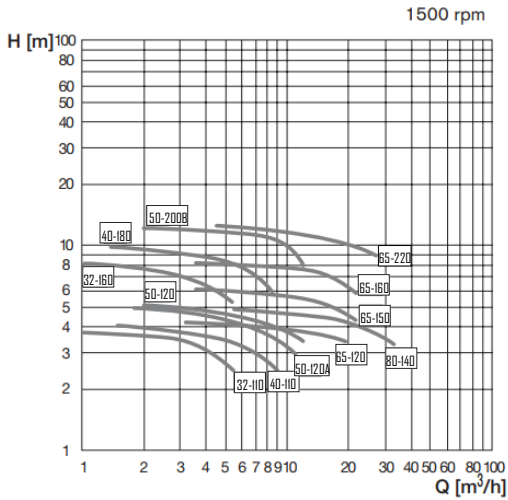
Technical data

Maximum capacity:	80m ³ /h (50Hz) 100m ³ /h (60Hz)
Maximum delivery head:	60m (50Hz) 53m (60Hz)
Maximum liquid temperature:	95°C
Maximum operating pressure:	8bar (800kPa)
Maximum speed	3600rpm

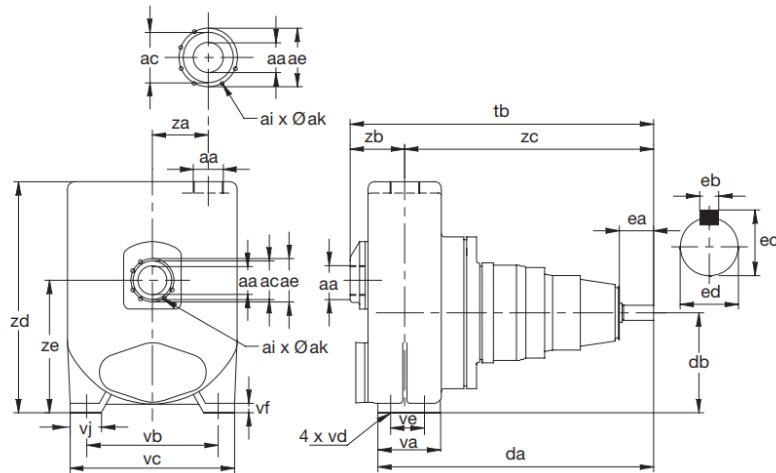
Material of Construction

MOC	G02	G06
Pump casing	cast iron	SS316
Impeller	SS316	SS316
Mechanical seal cover	cast iron	SS316
Pump shaft	SS316	
Mechanical seal material	Carbon to Ceramic	

PERFORMANCE DATA



DIMENSIONS



Size	aa	ac	ae	ai	ak	da	db	ea	eb	ec	ed	tb	va	vb	vc	vd	ve	vf	vj	za	zb	zc	zd	ze	[kg]
32-110	1.1/4"	-	-	-	-	282	80	40	5P9	18	16j6	308	95	160	190	12	70	10	35	-	70	238	255	132	15
40-110	1.1/2"	-	-	-	-	282	80	40	5P9	18	16j6	325	95	160	190	12	70	10	35	-	80	245	290	132	17
32-160	1.1/4"	-	-	-	-	335	100	50	8P9	27	24j6	372	100	190	225	14	70	12	42	-	83	289	280	160	26
50-120A	2"	-	-	-	-	335	100	50	8P9	27	24j6	393	100	190	225	14	70	12	42	-	98	295	350	160	30
50-120	2"	-	-	-	-	335	100	50	8P9	27	24j6	393	100	190	225	14	70	12	42	-	98	295	350	160	30
65-120	2.1/2"	-	-	-	-	360	100	50	8P9	27	24j6	434	125	190	225	14	95	12	42	-	114	320	360	180	40
65-150	2.1/2"	-	-	-	-	360	132	50	8P9	27	24j6	415	125	212	247	14	95	12	44	-	105	310	380	212	40
65-160	2.1/2"	-	-	-	-	360	132	50	8P9	27	24j6	415	125	212	247	14	95	12	44	-	105	310	380	212	40
80-140	DN80	135	160	8	M16	360	132	50	8P9	27	24j6	430	125	212	255	14	95	12	47	-	116	314	375	212	46
180-40	1.1/4"	-	-	-	-	443	160	50	8P9	27	24j6	490	100	212	265	14	70	15	50	90	90	400	370	212	65
50-200B	2"	-	-	-	-	470	160	50	8P9	27	24j6	515	125	250	320	14	95	15	65	100	105	410	460	224	90
65-220	2.1/2"	-	-	-	-	575	180	80	10P9	35	32k6	640	125	280	345	14	95	18	65	110	120	520	550	265	110

Contact us:

HSL Engineering Sdn Bhd
 20, Jalan BS 7/19, Kawasan Perindustrian Bukit Serdang,
 43300 Seri Kembangan, Selangor
 Phone: +603-8959 2112 Email: sales@hslengrg.com

